

POST INDICATOR GATE VALVE

MODEL NO **PIV-1**

MODEL NO **PIV-2**
(RUBBER LINING TYPE)



PIV-1GT
GEAR TYPE
(LIMIT SWITCH)



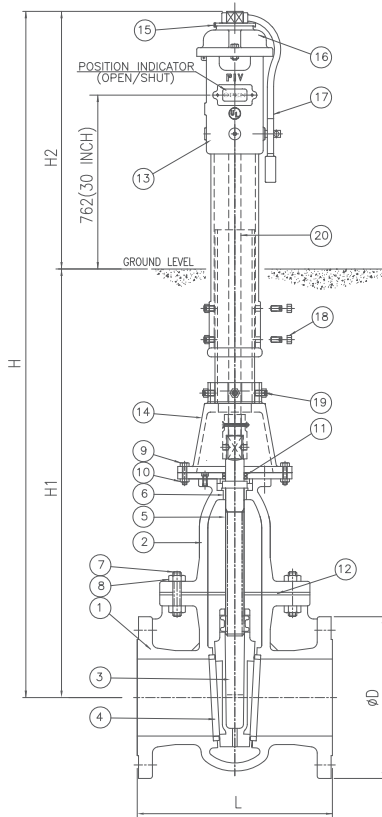
PIV-1LT
LEVER TYPE
(TAMPER SWITCH)



Post indicator : File Ex26420
Gate Valve 2"~24" : File Ex26419

FEATURES

- Post indicator Gate Valve is installed on the pipe lines of the ground-hydrants and it can be opened and closed for fire-hydrants maintenance.
- NRS Gate valve is a structure that stem does not move up and down when opening and closing the disc.
- Post Indicator attached to NRS Gate valve on the fire fighting water pipe and it can control VALVE-OPENING and CLOSING from the ground via LEVER or GEAR TYPE.
- The status of valve opening and closing is checkable via transparent box on the indicator post. As a result, maintenance is much easier.
- ADJUSTABLE TYPE is a structure that workers can adjust length of the indicator post according to depth of the piping on the spot of burying valve.
- Tamper switch can be attached.



< PIV-1 >

DESCRIPTION OF PARTS (PIV - 1)

NO	PART NAME	Q'TY	MATERIALS (ASTM SPECIFICATION)
1	BODY	1	A216 - WCB
2	BONNET	1	A216 - WCB
3	DISC	6" UNDER	1 A217 - CA15
		8" OVER	1 WCB + 13Cr FACED
4	SEAT RING	2	A105+ 13Cr FACED
5	STEM	1	A276 - 410
6	BONNET BUSH	1	A276 - 410
7	BONNET BOLT		A193 - B7
8	BONNET NUT		A194 - 2H
9	HEX. BOLT	4	SS304
10	HEX. NUT	4	SS304
11	PACKING	2	O - RING (NBR)
12	GASKET	1	SS / GRAPHITE (P#1200 - GR or EQV.)
13	TOP SECTION	1	A126 CLASS B
14	BOTTON SECTION	1	A126 CLASS B
15	OPERATION STEM NUT	1	A351 GR. CF8
16	COVER	1	A126 CLASS B
17	LEVER	1	A216 CLASS B
18	TOP SECTION BOLT	1	SS304
19	BOTTON SECTION BOLT	1	SS304
20	STEM	1	SQUARE BAR(A29)

* The material can be changed by customer's request.

SPECIFICATION

DIAMETER	100A(4") ~ 600A(24")
APPLICABLE PRESSURE	10K ~ 20K 125LB, 150LB, 300LB
CONNECTING ENDS	FLANGE TYPE
TEST METHOD	According to KS B2304, API 598

DIMENSIONS(150LB)

SIZE	øD	L	H1	H2
4"	229	229	1,000	900
5"	254	254	1,000	900
6"	279	267	1,000	900
8"	343	292	1,000	900
10"	406	330	1,000	900
12"	483	356	1,200	900
14"	533	381	1,300	900
16"	597	406	1,500	900
18"	635	432	1,500	900
20"	698	457	1,500	900
24"	813	508	1,500	900

- PAINTING : H1 - BLACK COLOR
H2 - RED COLOR

DESCRIPTION OF PARTS (PIV - 2)

NO	PART NAME	Q'TY	MATERIALS (ASTM SPECIFICATION)
1	BODY	1	A395
2	BONNET	1	A395
3	DISK	1	A395 + EPDM LINING
5	STEM	1	A276 - 410
6	BONNET BUSH	1	A276 - 410
7	BONNET BOLT		A193 - B7
8	BONNET NUT		A194 - 2H
9	HEX. BOLT	4	SS304
10	HEX. NUT	4	SS304
11	PACKING	2	O - RING (NBR)
12	GASKET	1	NON ASBESTOS
13	TOP SECTION	1	A126 CLASS B
14	BOTTON SECTION	1	A126 CLASS B
15	OPERATION STEM NUT	1	A351 GR. CF8
16	COVER	1	A126 CLASS B
17	LEVER	1	A216 CLASS B
18	TOP SECTION BOLT	1	SS304
19	BOTTON SECTION BOLT	1	SS304
20	TOP STEM	1	SQUARE BAR(A29)

* The material can be changed by customer's request.